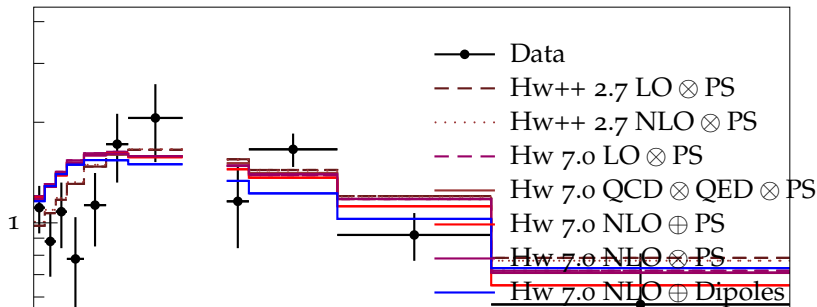


K^+ scaled momentum, ratio c to uds events

dN/dx_p



MC/Data

